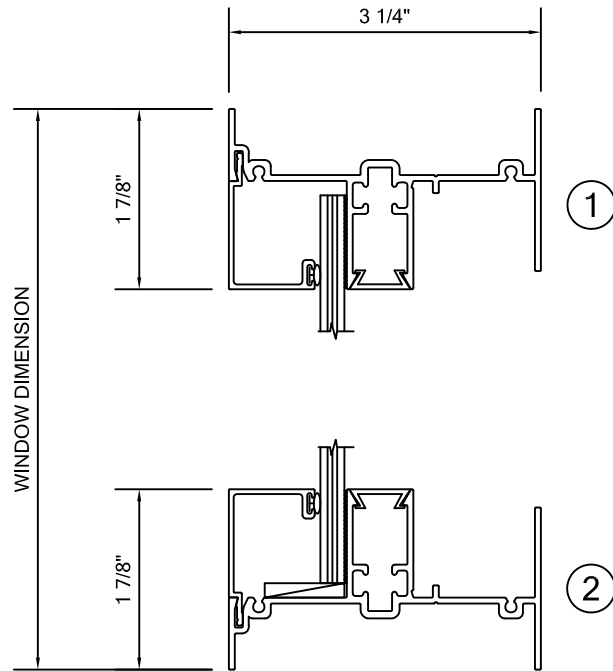


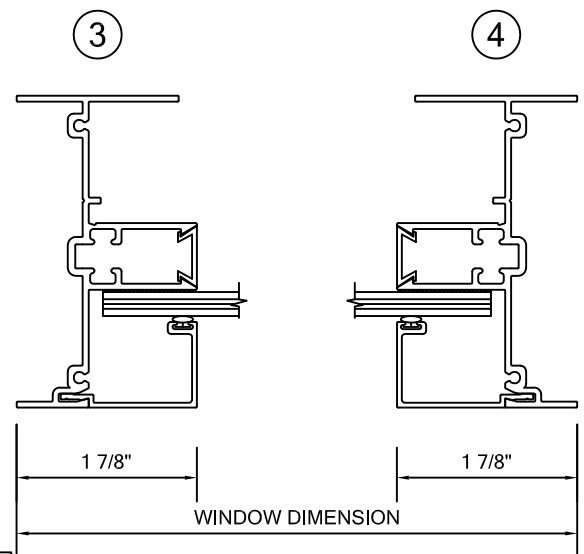
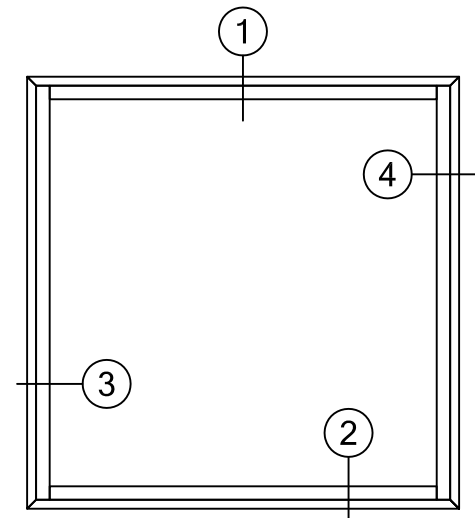
ALLIANCE WINDOW COMPANY, INC

Commercial Aluminum Windows & Doors



PRODUCT INFORMATION:
 FIXED WINDOW
 200 / 600 SERIES
 3-1/4" FRAME DEPTH
 MFG CODE: 200 FOG / 600 FOG
 - AAMA HC-60 RATED
 - CRF OF 54
 - STC 36
 - 90 PSF STRUCTURAL
 - 13.5 PSF WATER

*NON-THERMAL FRAME SHOWN ALSO
 AVAILABLE WITH THERMAL FRAMING



*FRAMING SHOWN AS EQUAL LEG, ALSO AVAILABLE IN NAIL FIN,
 FLANGE FRAME AND PROJECT SPECIFIC APPLICATIONS.