

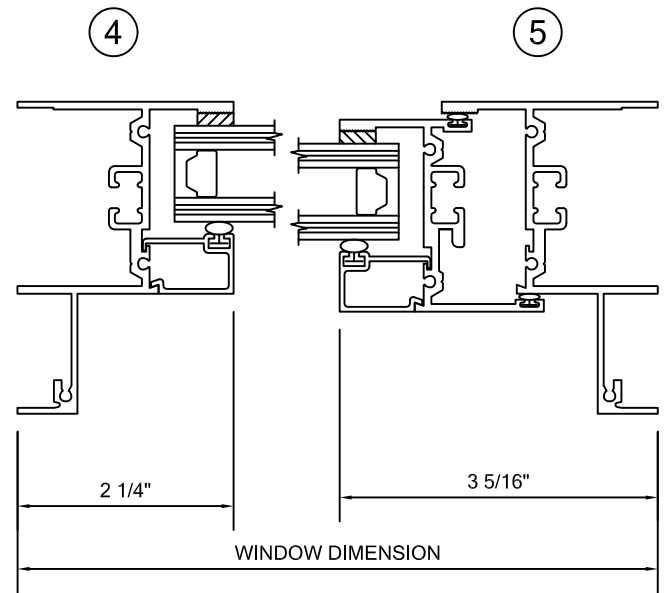
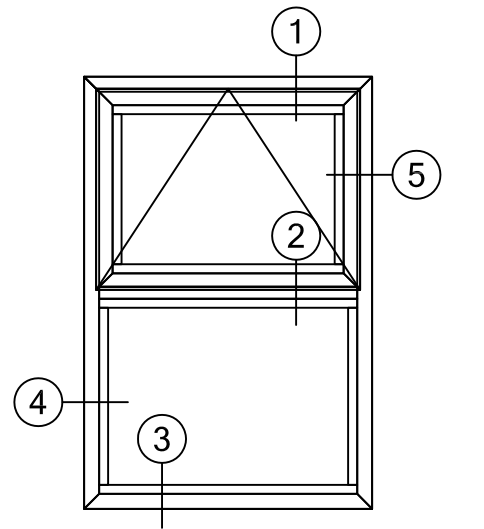
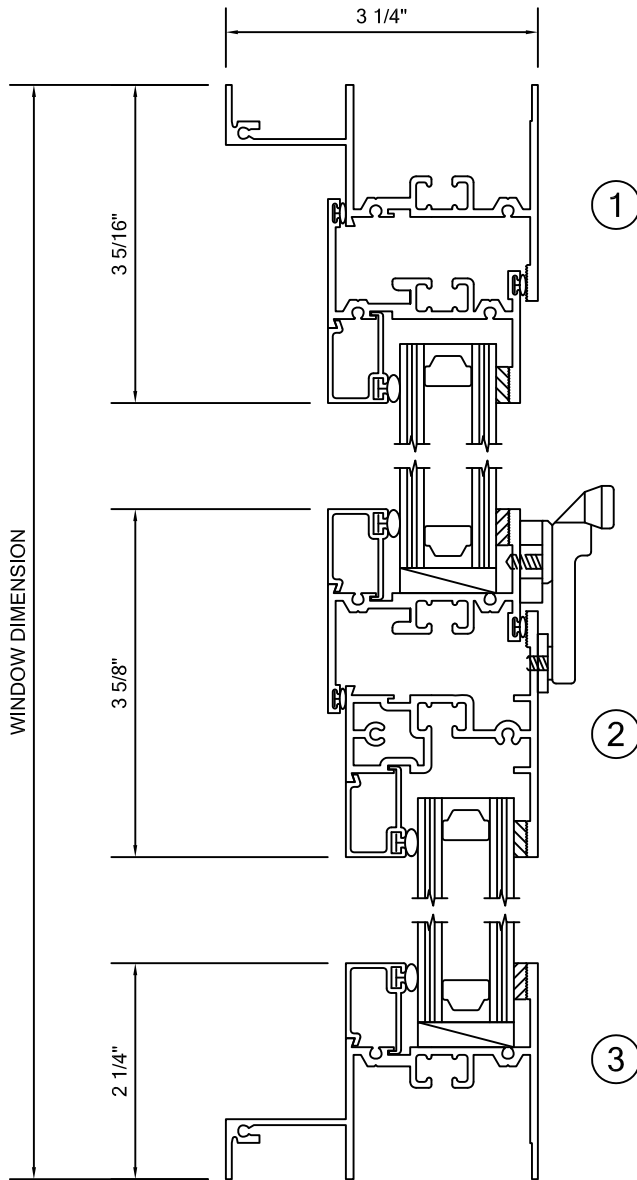
ALLIANCE WINDOW COMPANY, INC

Commercial Aluminum Windows & Doors

PRODUCT INFORMATION:
FIXED/ PROJECTED WINDOW
2000 SERIES

- 3-1/4" FRAME DEPTH
- MFG CODE: 2300 POOG
- AAMA C-70 RATED
- CRF OF 58
- STC 39
- 105 PSF STRUCTURAL
- 12 PSF WATER

*NON-THERMAL FRAME SHOWN ALSO
AVAILABLE WITH THERMAL FRAMING



*FRAMING SHOWN AS EQUAL LEG, ALSO AVAILABLE IN NAIL FIN,
FLANGE FRAME AND PROJECT SPECIFIC APPLICATIONS.