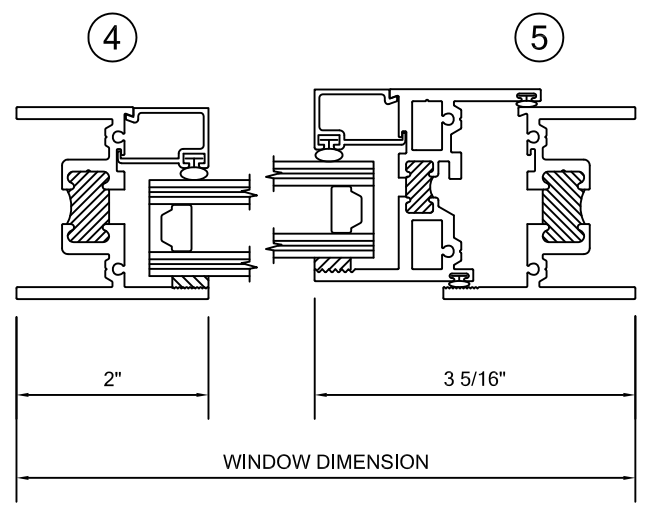
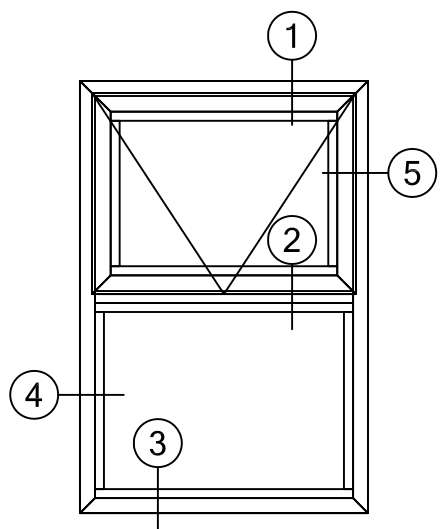
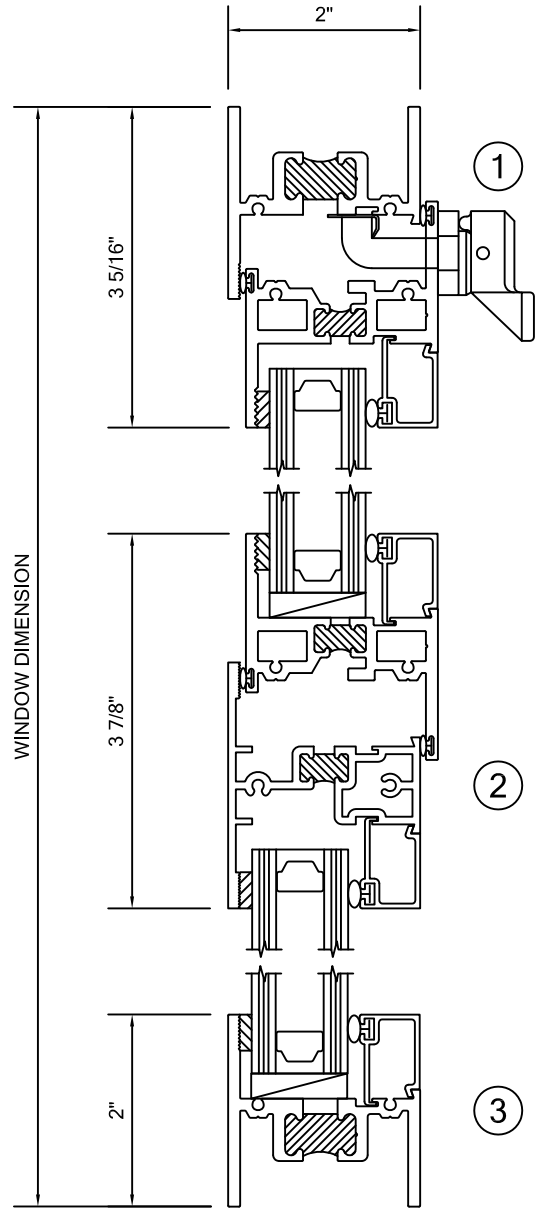


ALLIANCE WINDOW COMPANY, INC

Commercial Aluminum Windows & Doors

PRODUCT INFORMATION:
FIXED/ PROJECTED WINDOW
2000 SERIES
2" FRAME DEPTH
MFG CODE: 2550 HC PIIG
 - AAMA HC-80 RATED
 - CRF OF 58
 - STC 39
 - 120 PSF STRUCTURAL
 - 18 PSF WATER

*THERMAL FRAME SHOWN ALSO
 AVAILABLE WITH NON-THERMAL FRAMING



*FRAMING SHOWN AS EQUAL LEG, ALSO AVAILABLE IN NAIL FIN, FLANGE FRAME AND PROJECT SPECIFIC APPLICATIONS.