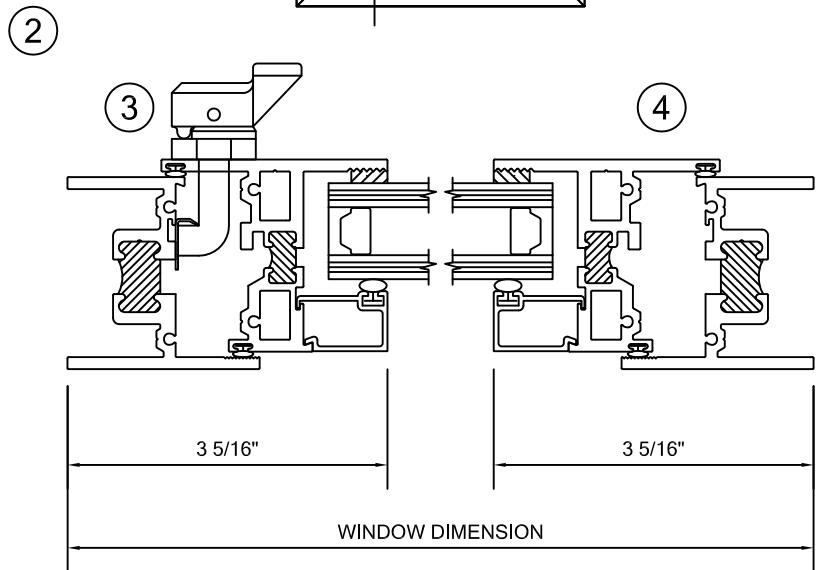
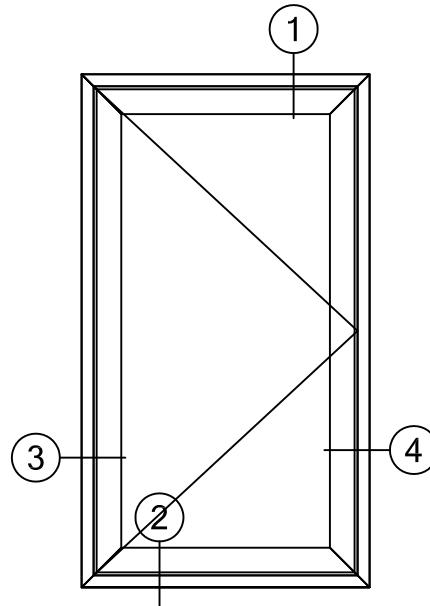
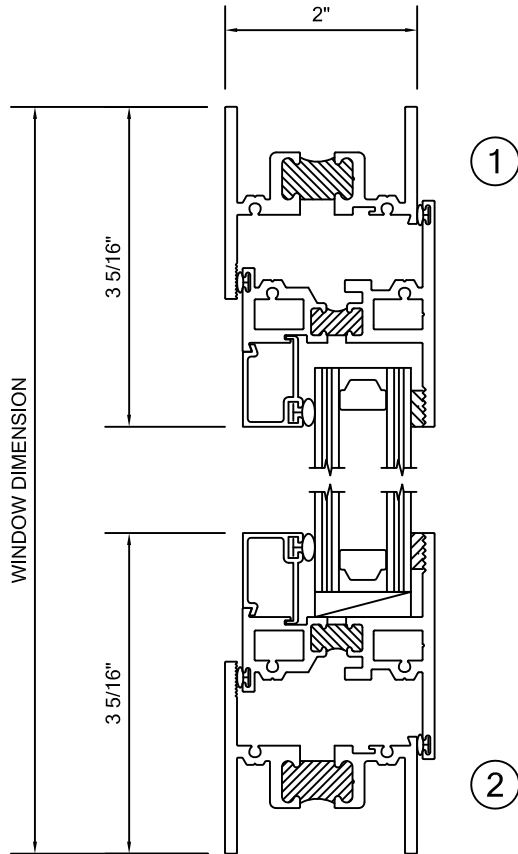


ALLIANCE WINDOW COMPANY, INC

Commercial Aluminum Windows & Doors

PRODUCT INFORMATION:
CASEMENT WINDOW
2000 SERIES
2" FRAME DEPTH
MFG CODE: 2550 HC PIOG
- AAMA HC-80 RATED
- CRF OF 58
- STC 39
- 120 PSF STRUCTURAL
- 18 PSF WATER

*THERMAL FRAME SHOWN ALSO
AVAILABLE WITH NON-THERMAL FRAMING



*FRAMING SHOWN AS EQUAL LEG, ALSO AVAILABLE IN NAIL FIN,
FLANGE FRAME AND PROJECT SPECIFIC APPLICATIONS.

14152 ARNDT ROAD N.E. AURORA, OREGON 97002
PHONE: 503.678.2966 FAX: 503.678.6876 WEB: WWW.ALLIANCEWINDOW.NET