

# ALLIANCE WINDOW COMPANY, INC

## Commercial Aluminum Windows & Doors

### PRODUCT INFORMATION:

PROJECTED WINDOW

2000 SERIES

2" FRAME DEPTH

MFG CODE: 2550 POIG

- AAMA HC-80 RATED

- CRF OF 58

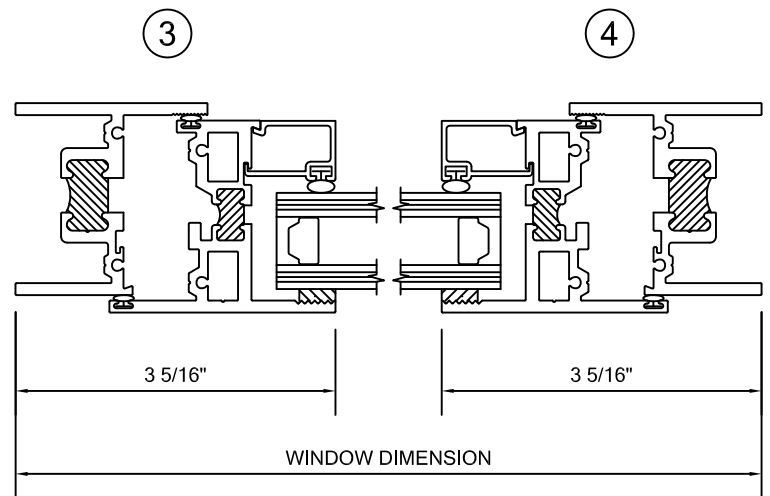
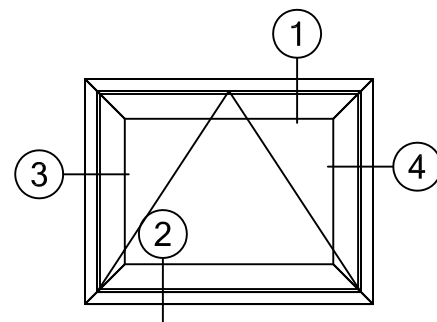
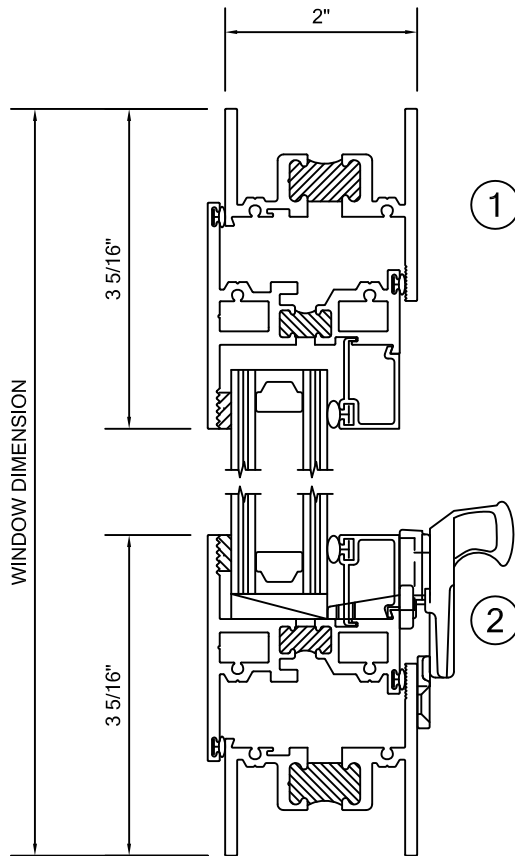
- STC 39

- 120 PSF STRUCTURAL

- 18 PSF WATER

\*THERMAL FRAME SHOWN ALSO

AVAILABLE WITH NON-THERMAL FRAMING



\*FRAMING SHOWN AS EQUAL LEG, ALSO AVAILABLE IN NAIL FIN, FLANGE FRAME AND PROJECT SPECIFIC APPLICATIONS.

14152 ARNDT ROAD N.E. AURORA, OREGON 97002

PHONE: 503.678.2966 FAX: 503.678.6876 WEB: WWW.ALLIANCEWINDOW.NET